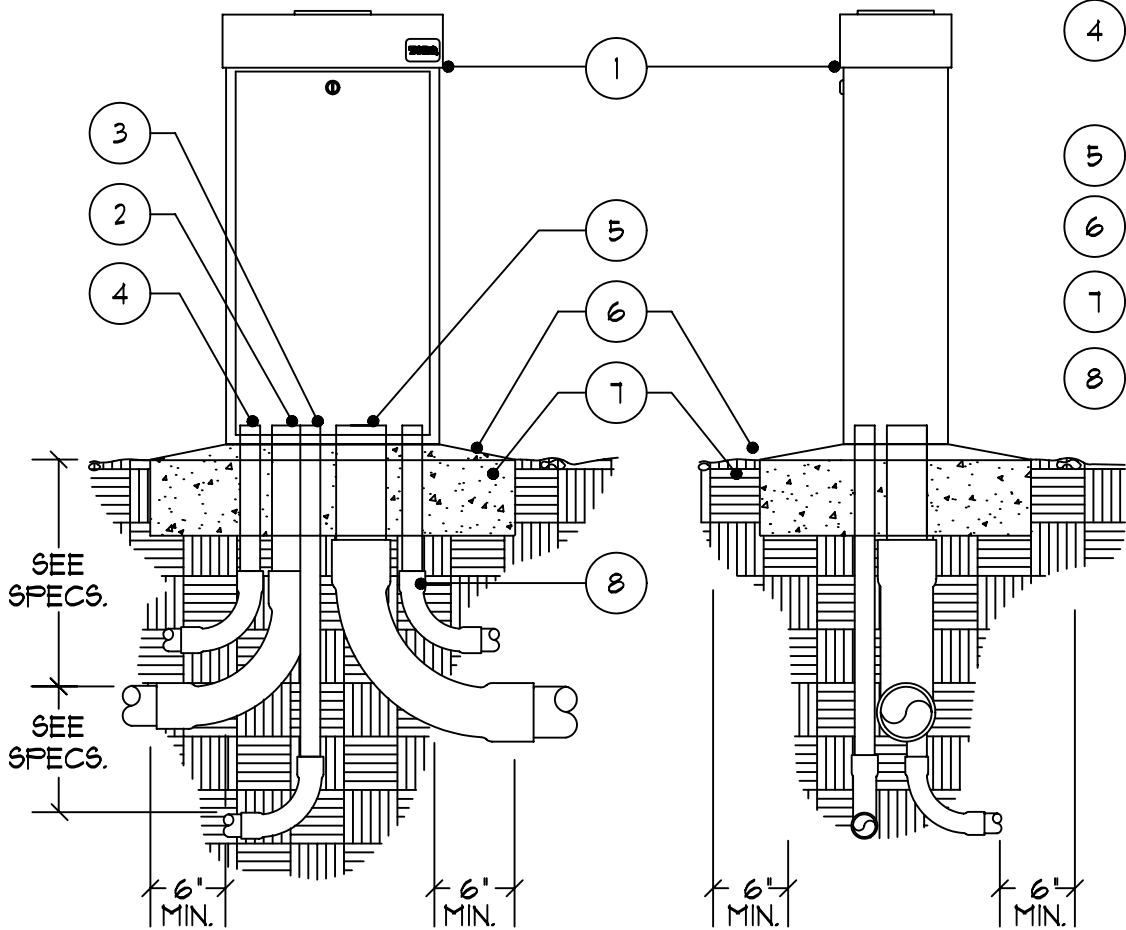


- ① TORO SENTINEL TOP ENTRY IRRIGATION CONTROLLER MODEL NO. 55AKXXPS16NSX  
SEE PLAN FOR NUMBER OF STATIONS
- ② 2" CONDUIT FOR FIELD WIRES UP TO 24 STATIONS
- ③ 3/4" CONDUIT FOR GROUND
- ④ 3/4" CONDUIT FOR INPUT POWER PER LOCAL & NATIONAL ELECTRICAL CODES
- ⑤ 2" CONDUIT FOR FIELD WIRES 25-48 STATIONS
- ⑥ FINISHED SURFACE SLOPE TO DRAIN
- ⑦ CONCRETE FOOTING
- ⑧ 1/2" CONDUIT FOR SENSOR WIRES



6" MIN.

FRONT SECTION/ELEVATION

RIGHT-SIDE SECTION/ELEVATION

(STAINLESS-STEEL)  
 PEDESTAL-MOUNT CONTROLLER  
 TORO SENTINEL

NOT TO SCALE